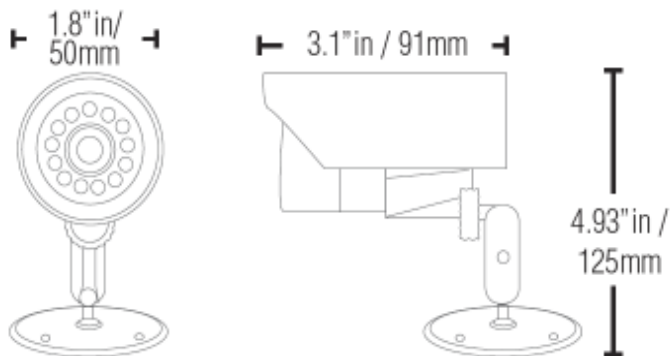


4. Camera Specifications

Image Device	1/3" Color CCD
Effective Pixels	NTSC:768Hx494(410K) PAL:752Hx582V(470K)
Scanning System	2:1 interlace NTSC: 525 Lines PAL: 625 Lines
Resolution	Horizontal 480 TV lines
AES Shutter Speed	NTSC: 1/60 ~ 1/100,000 PAL: 1/50 ~ 1/100,000
S/N Ratio	More than 48dB (AGC off)
Sync. System	Internal
Min. Illumination	1 LUX @F1.2 (no LED) 0 LUX (with LED)
White Balance	AWB
Video Output	1.0 Vp-p (75 ohms)
Lens	Fixed Lens (3.6mm)
Power Supply	DC 12V ± 10%
Power Consumption	230mA / 3.0W
Operating Temp	14°F ~ 122°F (-10° ~ 50°C)
FOV (Diagonal)	100 Degrees

Dimensions:



It's all on the web

- Product Information
- User Manuals
- Quick Start Guides
- Specification Sheets
- Software Upgrades
- Firmware Upgrades



VISIT
www.lorexcctv.com

LOREX Technology Inc.
Copyright © 2007 LOREX Technology Inc. As our products are subject to continuous improvement, LOREX and its subsidiaries reserve the right to modify product design, specifications and prices, without notice and without incurring any obligation. E&OE

HOME & BUSINESS SECURITY

**HIGH RESOLUTION
WEATHERPROOF COLOR CCD
CAMERA WITH NIGHT VISION**

Model: SG7610 Series

SG7610B (NTSC)

SG7610BP (PAL)

Refer to online Spec Sheet for specific
Packaging Configurations.



Quick Set-up Guide

LOREX

1. Package Contents



1 x CCD Color Day/
Night Camera
1 x Camera Stand



1 x 100' (30m) DIN
Extension Cable



1 x DIN to BNC Coupler
1 x Power Adaptor

* DIN to BNC Coupler and Power Adaptor are included with the SG7610B Series only. This provides universal compatibility to industry standard BNC connectors.

Features:

- Hi Resolution CCD Image Sensor (480 TV Lines and 410K pixels)
- 12 Hi Intensity IR LEDs provides effective night vision range over 30 ft. (10 m)**
- Day / Night mode: Picture automatically switches camera to B&W delivering better clarity in low light conditions
- Ceiling or Wall Mountable Cameras with versatile stand provides flexible mounting options
- Weatherproof*** Cameras ideal for Outdoor and indoor applications (IP66)
- Plug and Play Cameras: all-in-one camera cable (providing Video, audio & Power) plugs directly to the monitor and eliminates the need for a separate power adaptor
- 100 ft.(30m) extension cable included per camera

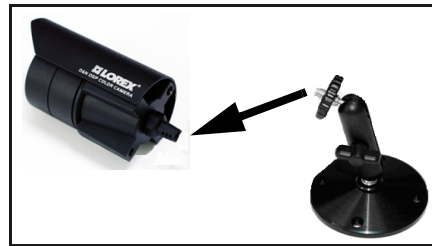
** Night Vision Range up to 30ft. (10m) in ideal conditions. Objects at or beyond this range may be partially or completely obscured, depending on the camera application.

*** Not for use in direct exposure to water, rain or snow

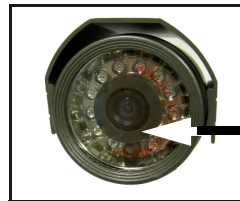
2. Installing the Camera

Note: Test the cameras prior to selecting a permanent mounting location by temporarily connecting the Cameras and Cables to the System.

1. Mount the camera stand to the desired mounting surface. Attach the camera to the supplied stand.



2. Aim the camera. Remove the protective film from the lens.



Lift the plastic tab on the lower edge of the camera to remove the protective film.

3. Connect the 100ft Extension cable to the camera: Connect the other end of the 100ft Extension Cable to the Observation System or DVR.



Note: Confirm that the arrows on the DIN Extension cable are aligned with the Camera Cable and System ports when connecting the cable. If the pins in the DIN Cable are bent, the Camera will NOT function



3. Camera Diagram

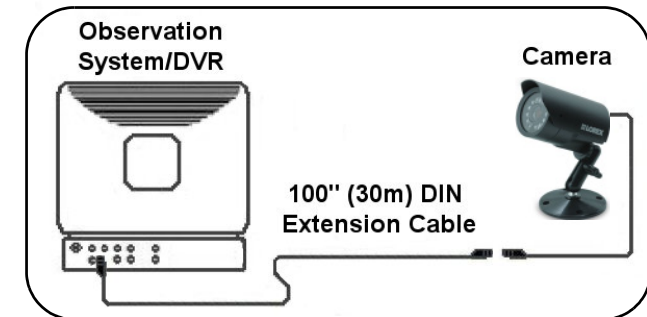


DIN System Connection Diagram:

Cameras with 6 Pin DIN connections draw power from the Observation System or DVR. Additional power adaptors are not needed for these cameras.



6 PIN DIN



DIN to BNC System Connection Diagram:

